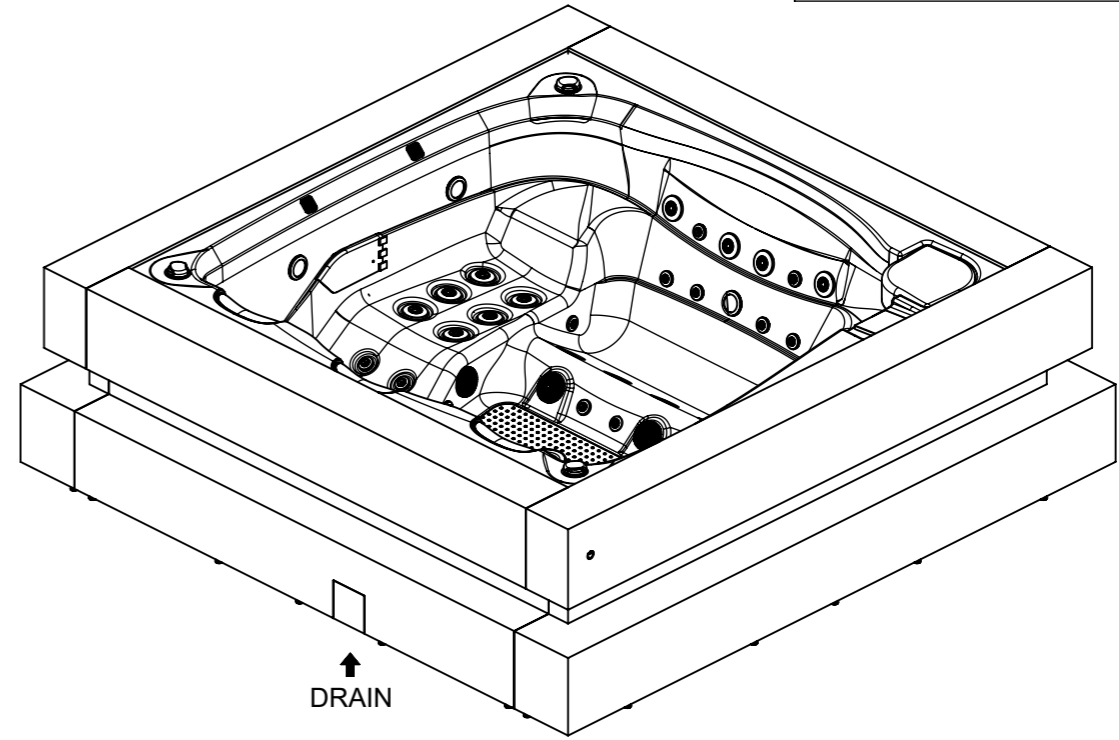
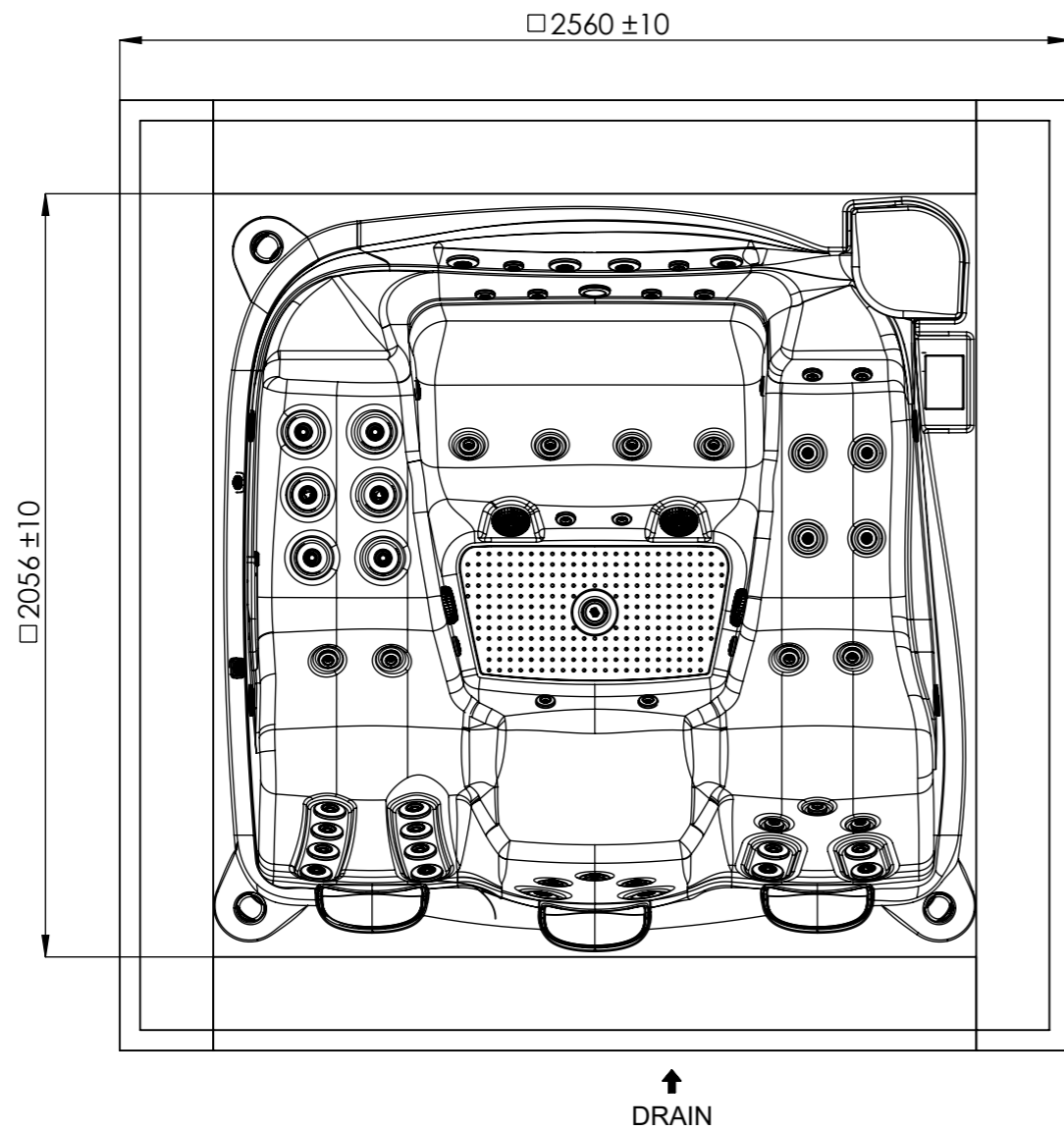
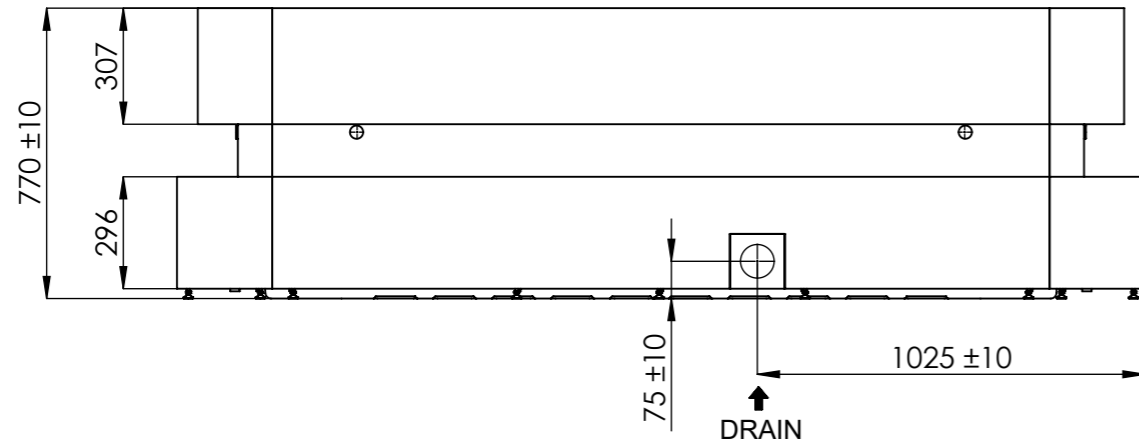
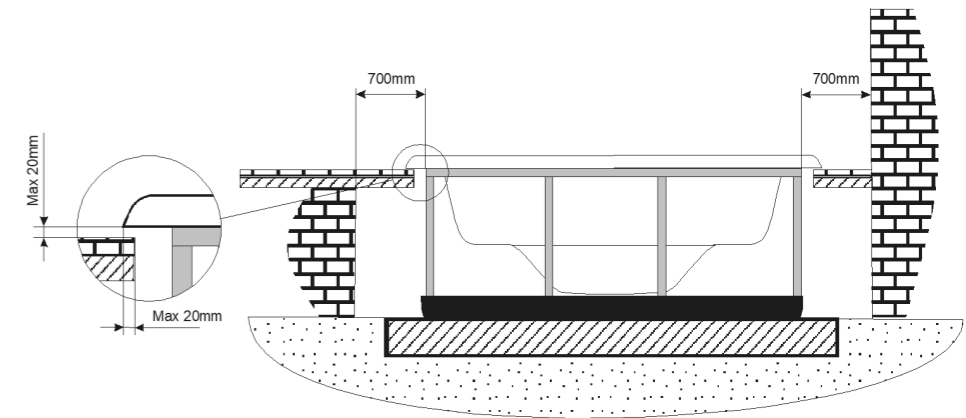


General specifications	
Spa weight (dry)	624 kg
Spa weight (filled)	1687 kg



WARNING:
It's essential to keep a minimum clearance access of **700mm** all around.



↑
↑
ELECTRICAL BOARD CONNECTIONS ACCESS

*According to our policy of continuous improvement, dimensions, features or components of this product can be partially or completely changed without prior notice.
It's Customer responsibility to verify that this is the last version of the drawing.*

01	12/02/2025	Anna A.	Actualitzem pesos
Revision	Date Fecha	Name Nombre	Modification Modificació

Dimensions in mm. General Tolerances +/- 10mm			COMMERCIAL		
Drawn	Date	Name	Code	Rev.	Size
Checked	02/10/2024	BB	iberspa	77524	A3
Scale	12/02/2025	Bernat S.			
Sheet	1:20	General Tolerance	77524	01	First Angle Projection
1/1	DIN 7168 ISO 2768g				